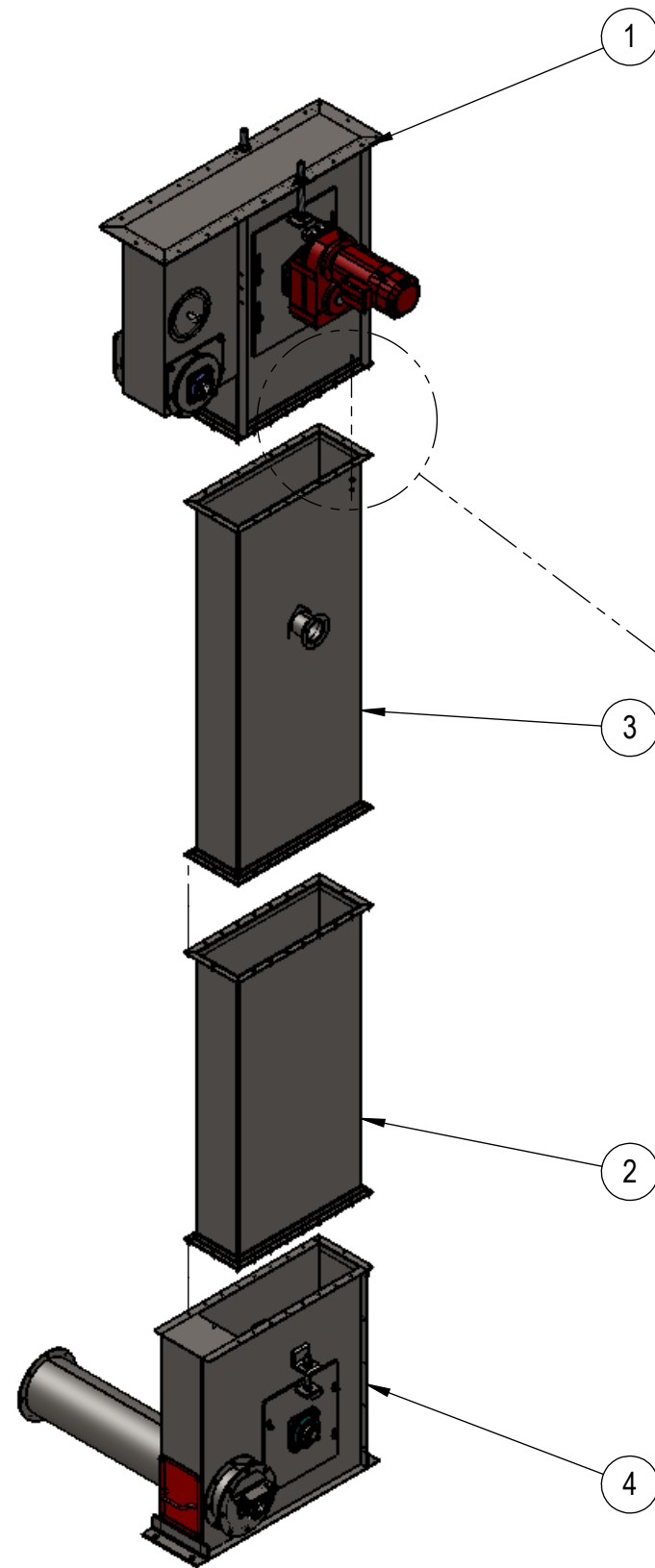


ITEM NO.	WEIGHT	QTY.	DESCRIPTION	PartNo	Number	Rec'd_Spare
1	1219.9	1	10" x 30" Elevator Head Ass'y 14 SII	M-2931	11-2173-B	-
2	217.47	1	Mid Section Weldment	M-2926	11-2168-B	-
3	267.95	1	Mid Section Vent Weldment	M-2927	11-2169-B	-
4	511.0	1	10" x 30" Elev Boot Ass'y	M-2930	11-2172-B	-
5	0.06	60	HHCS 3/8"-16NC x 1 1/4" LG.	MH-1240	-	-
6	0.01	60	Lockwasher 3/8"	MH-1011	-	-
7	0.00	60	Flat Washer 3/8"	MH-1002	-	-
8	0.01	60	Hex Nut 3/8"-16NC	MH-1029	-	-



DETAIL A  
SCALE 1 : 8

UNLESS OTHERWISE SPECIFIED: DIMENSIONS ARE IN INCHES TOLERANCES: FRACTIONAL ± 1/16" ANGULAR: ± 0.5° TWO PLACE DECIMAL ±0.015" THREE PLACE DECIMAL ±0.005"			
DRAWN G 1st		DATE date drwn	
CHECKED -		DATE -	
FINISH ✓		DO NOT SCALE DRAWING	
PART NUMBER <b>M-2929</b>		TITLE: 10" x 30" Elevator Ass'y 14 S11	
DWG. NO. 11-2171-B		REV 00	
SCALE: 1:48		EST WT: 2221.1# SHEET 1 OF 1	

PROPRIETARY AND CONFIDENTIAL  
THE INFORMATION CONTAINED IN THIS DRAWING IS THE SOLE PROPERTY OF METCAST. ANY REPRODUCTION IN PART OR AS A WHOLE WITHOUT THE WRITTEN PERMISSION OF METCAST IS PROHIBITED.