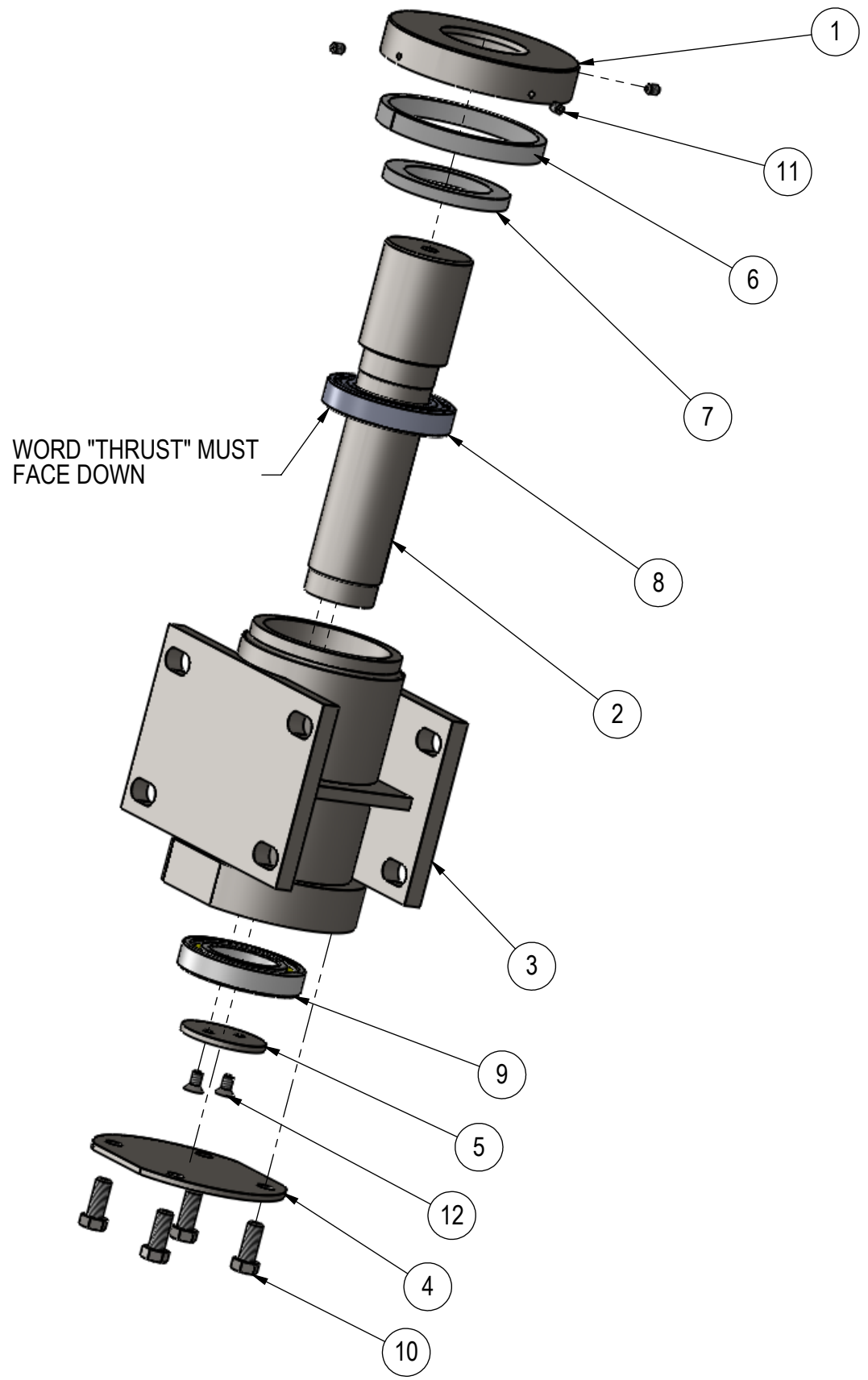
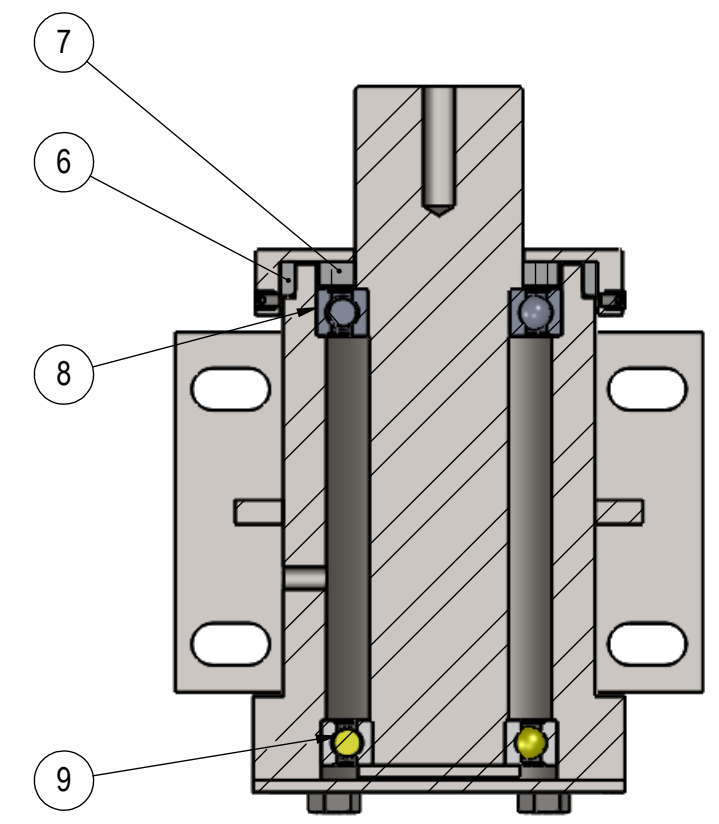


D  
C  
B  
A



ITEM NO.	WEIGHT	QTY.	DESCRIPTION	PartNo	Number	Rec'd Spare
1	6.21	1	72" Swing Table-Seal Retainer	M-105634	11-2809-B	-
2	29.67	1	72" Swing Table Shaft	M-106633	11-2810-B	-
3	81.29	1	72" Dia Swing Table- Bearing Housing	M-46445	11-2811-C	-
4	3.12	1	72" Swing Table- Seal Plate	M-106632	11-2812-A	-
5	0.60	1	72" Swing Table-Retaining Ring	M-106850	11-2813-A	-
6	0.02	1	72" Swing Table- Felt Seal	M-3581	11-2849-A	-
7	0.02	1	72" Swing Table-Bearing Felt Seal	M-3582	11-2850-A	-
8	0.3	1	Ball Bearing	M-52291	-	-
9	2.3	1	Ball Bearing	M-61461	-	-
10	0.21	4	HHCS 5/8"-11 NC x 1 1/2" LG.	MH-1302	-	-
11	0.01	4	Socket Set Screw 3/8"-16 x 1/2" Lg	MH-1702	-	-
12	0.03	2	FHCS 3/8"-16 X 3/4" Lg.	MH-1554	-	-



UNLESS OTHERWISE SPECIFIED:  
 DIMENSIONS ARE IN INCHES  
 TOLERANCES:  
 FRACTIONAL ± 1/16"  
 ANGULAR: ± 0.5°  
 TWO PLACE DECIMAL ±0.015"  
 THREE PLACE DECIMAL ±0.005"



TITLE: **72" Swing Table Bearing Housing Ass'y**  
 DWG. NO. **11-2814-B** REV **0**  
 SCALE: 1:4 EST WT: 124.5# SHEET 1 OF 1

PART NUMBER **M-3541**  
 PROPRIETARY AND CONFIDENTIAL  
 THE INFORMATION CONTAINED IN THIS DRAWING IS THE SOLE PROPERTY OF METCAST. ANY REPRODUCTION IN PART OR AS A WHOLE WITHOUT THE WRITTEN PERMISSION OF METCAST IS PROHIBITED.

DRAWN RR DATE 11-30-2011  
 CHECKED DATE  
 FINISH  
 DO NOT SCALE DRAWING