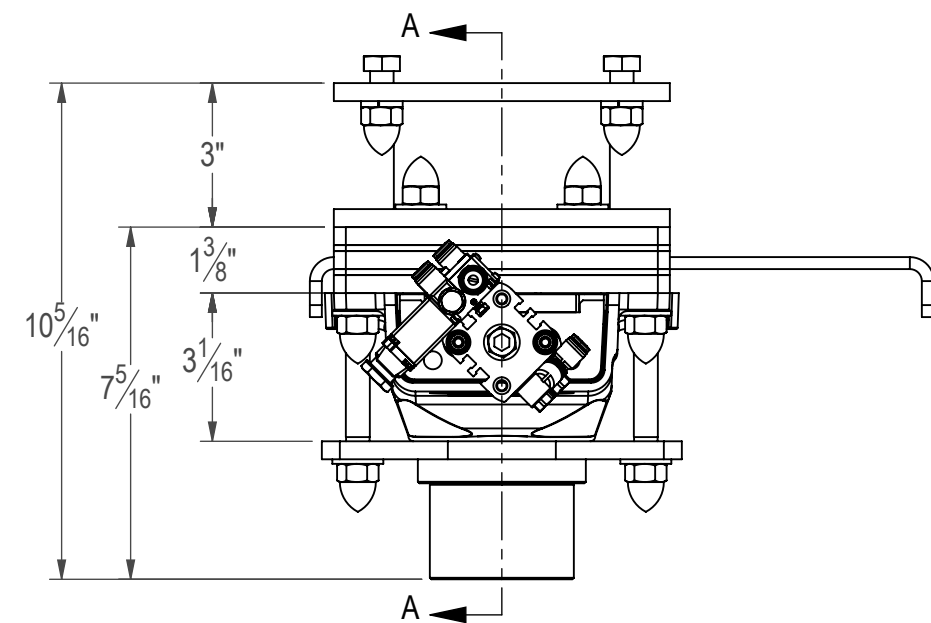
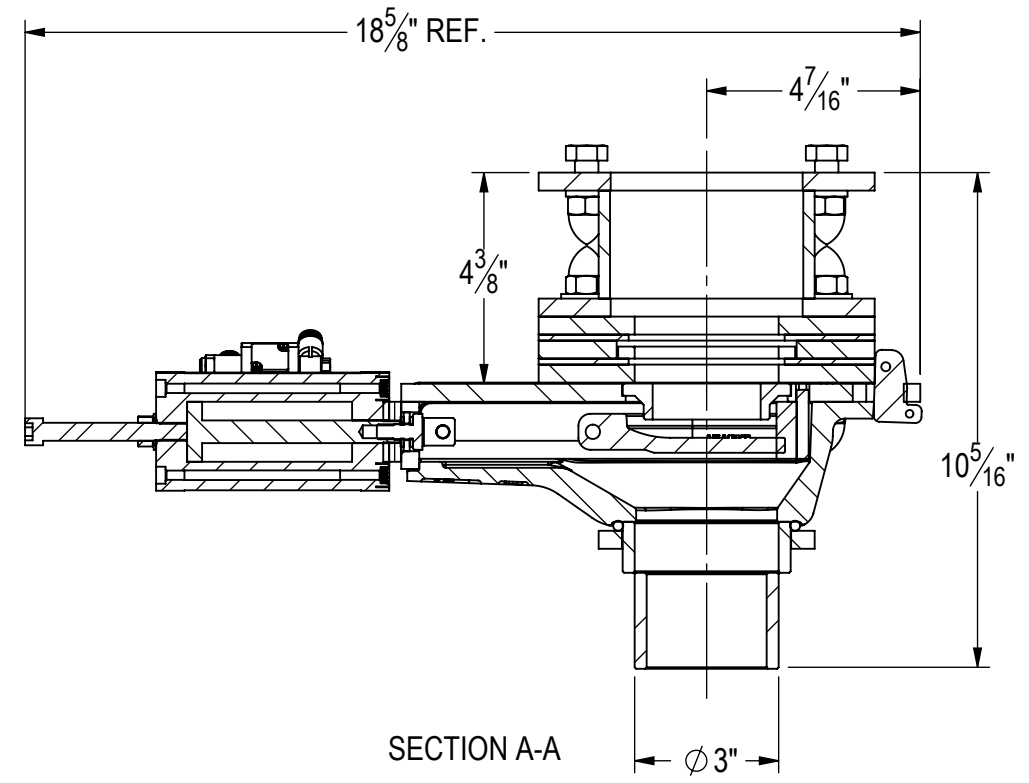


ITEM NO.	WEIGHT	QTY.	DESCRIPTION	PartNo	Number
1	20.6	1	Abrasive Valve AVM	M-3712	12-2987-B
2	17.8	1	Magnetic Sealed Slide Gate	M-3716	12-2990-B
3	0.98	1	AVM Solenoid Valve Pneumatic Kit	M-3734	12-3004-B
4	9.56	1	Inlet Spacer	M-416709	11-2448-B
5	0.11	4	HHCS 1/2"-13NC X 1 1/4" LG	MH-1276	-
6	0.01	4	Lockwasher 1/2"	MH-1013	-
7	0.06	4	Acorn Nut 1/2"-13NC	MH-1512	-



MAGNETIC SEALED SLIDE GATE BODY OPTION

ITEM NO.	QTY.	DESCRIPTION	PartNo
1	1	Magnetic Sealed Slide Gate Body	M-3717
2	8	Flat Washer 1/2", Type A Narrow	MH-1388
3	8	HHCS 1/2"-13NC X 2" LG	MH-1279
4	8	Acorn Nut 1/2"-13NC	MH-1512

UNLESS OTHERWISE SPECIFIED:
 DIMENSIONS ARE IN INCHES
 TOLERANCES:
 FRACTIONAL ± 1/16"
 ANGULAR: ± 0.5°
 TWO PLACE DECIMAL ± 0.015"
 THREE PLACE DECIMAL ± 0.005"



REVISIONS			
REV.	DESCRIPTION	DATE	BY
B	REMOVED HARDWARE - NO DATA ON REVISION A	6/29/2012	LAB
C	ADDED OPTION FOR MAGNETIC SEALED SLIDE GATE BODY	7/3/2012	DD
D	ADDED MOUNTING HARDWARE	3/14/2013	GF

PART NUMBER
M-3731

PROPRIETARY AND CONFIDENTIAL
 THE INFORMATION CONTAINED IN THIS DRAWING IS THE SOLE PROPERTY OF METCAST. ANY REPRODUCTION IN PART OR AS A WHOLE WITHOUT THE WRITTEN PERMISSION OF METCAST IS PROHIBITED.

DRAWN DATE 01/19/2012
 CHECKED DATE
 FINISH
 DO NOT SCALE DRAWING

TITLE:
Abrasive Valve with Accessories
 DWG. NO.
12-3000-B
 REV
D
 SCALE: 1:4 EST WT: 49.71# SHEET 1 OF 1