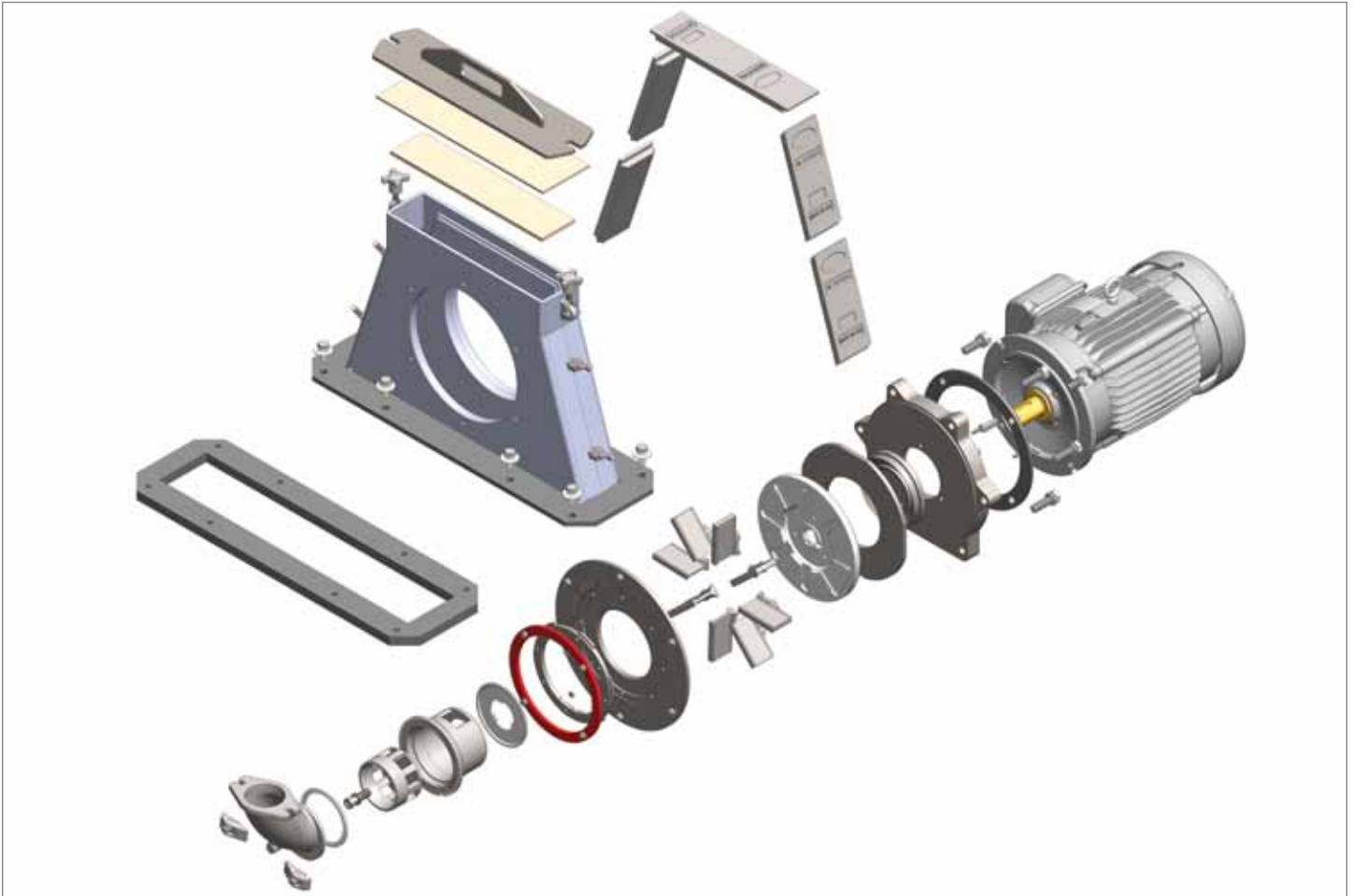


EZEFIT® WHEEL REPLACEMENT PARTS

*Premium OEM Replacement Components for Wheelabrator®
25EZEFIT® Blast Wheels*



- 100% in-stock guaranteed
- Same day shipment available
- Premium cast chrome alloy, heat treated components
- Available products for 25EZ140, 155, 175 and 270 with 30, 49 and 70 degree control cages
- Multiple M-CAST™ upgrades available



M-CAST™ is a trademark of Metcast Service Tech Resources Inc.
Wheelabrator® is a registered trademark of Wheelabrator Technologies Inc.
EZEFIT® is a registered trademark of Wheelabrator Group.

TECHNOLOGY. SERVICE. SOLUTIONS.

Phone: 262.785.7577 • Fax: 262.785.1066 • 16211 West Lincoln Avenue • New Berlin, WI 53151 • bct-us.com



EZEFIT® WHEEL REPLACEMENT PARTS

Premium OEM Replacement Components for Wheelabrator®
25EZEFIT® Blast Wheels

TUNE UP KITS

Includes: Blade set, control cage, impeller, impeller bolt, lockwasher and spout seal

KIT P/N	WHEEL TYPE	# OF BLADES	BLADE SET	CAGE DEGREE	CONTROL CAGE	IMPELLER	IMPELLER BOLT	LOCKWASHER	SPOUT SEAL
M-739534	25EZ140	8	M-C113315	30DEG	M-737717	M-737648	M-682988	M-683487	M-736807
M-739535	25EZ140	8	M-C113315	49DEG	M-737718	M-737648	M-682988	M-683487	M-736807
M-739536	25EZ140	8	M-C113315	70DEG	M-737719	M-737648	M-682988	M-683487	M-736807
M-739522	25EZ140	12	M-C89590	30DEG	M-737717	M-737661	M-682988	M-683487	M-736807
M-739523	25EZ140	12	M-C89590	49DEG	M-737718	M-737661	M-682988	M-683487	M-736807
M-739524	25EZ140	12	M-C89590	70DEG	M-737719	M-737661	M-682988	M-683487	M-736807
M-739163	25EZ155	8	M-C113316	30DEG	M-737717	M-737648	M-682988	M-683487	M-736807
M-739164	25EZ155	8	M-C113316	49DEG	M-737718	M-737648	M-682988	M-683487	M-736807
M-739165	25EZ155	8	M-C113316	70DEG	M-737719	M-737648	M-682988	M-683487	M-736807
M-739526	25EZ155	12	M-C104897	30DEG	M-737717	M-737661	M-682988	M-683487	M-736807
M-739527	25EZ155	12	M-C104897	49DEG	M-737718	M-737661	M-682988	M-683487	M-736807
M-739528	25EZ155	12	M-C104897	70DEG	M-737719	M-737661	M-682988	M-683487	M-736807
M-739167	25EZ175	8	M-C113317	30DEG	M-737717	M-737648	M-682988	M-683487	M-736807
M-739168	25EZ175	8	M-C113317	49DEG	M-737718	M-737648	M-682988	M-683487	M-736807
M-739169	25EZ175	8	M-C113317	70DEG	M-737719	M-737648	M-682988	M-683487	M-736807
M-739530	25EZ175	12	M-C104900	30DEG	M-737717	M-737661	M-682988	M-683487	M-736807
M-739531	25EZ175	12	M-C104900	49DEG	M-737718	M-737661	M-682988	M-683487	M-736807
M-739532	25EZ175	12	M-C104900	70DEG	M-737719	M-737661	M-682988	M-683487	M-736807
M-740301	25EZ270	8	M-C113321	30DEG	M-737717	M-737648	M-682988	M-683487	M-736807
M-740302	25EZ270	8	M-C113321	49DEG	M-737718	M-737648	M-682988	M-683487	M-736807
M-740303	25EZ270	8	M-C113321	70DEG	M-737719	M-737648	M-682988	M-683487	M-736807
M-740313	25EZ270	12	M-C104905	30DEG	M-737717	M-737661	M-682988	M-683487	M-736807
M-740314	25EZ270	12	M-C104905	49DEG	M-737718	M-737661	M-682988	M-683487	M-736807
M-740315	25EZ270	12	M-C104905	70DEG	M-737719	M-737661	M-682988	M-683487	M-736807

GENERAL COMPONENTS

PART NUMBER	DESCRIPTION
M-742119	MOTOR MOUNT ADAPTER
M-740522	REDUCER
M-471181	FEED SPOUT, 90DEG
M-498357	FEED SPOUT, STARIGHT
M-731156	CENTERING PLATE
M-737703	FEED SPOUT CLAMP
M-730462	HUB
M-730528	REAR HUB LINER
M-736767	RETAINING RING
M-742244	INDEX RING
M-737273	CONTROL CAGE ADAPTER

MOTORS

MOTOR	RPM	STANDARD	UPGRADED
15HP	1800	M-1800-15	M-1800-15-LS
15HP	3600	M-3915	M-2800-LS
20HP	1800	M-1800-20	M-1800-20-LS
20HP	3600	M-3920	M-2799-LS
25HP	1800	M-1800-25	M-1800-20-LS
25HP	3600	M-3925	M-1725-LS
30HP	1800	M-1800-30	M-1800-30-LS
30HP	3600	M-3930	M-1724-LS
40HP	1800	M-1800-40	M-1800-40-LS
40HP	3600	M-3940	M-1723-LS
50HP	1800	M-1800-50	M-1800-50-LS
50HP	3600	M-3950	M-1722-LS
60HP	1800	M-1800-60	M-1800-60-LS
60HP	3600	M-3960	M-1868-LS

BARE WHEELS

HORSEPOWER	8 BLADED	12 BLADED
7.5-30HP	M-738872	M-738874
40-50HP	M-738873	M-738875
60HP	-	M-743718

WHEEL LINERS

WHEEL	TOP	END
25EZ130-140	M-737645	M-737646
25EZ155-175	M-737825	M-737824
25EZ200-270	M-739666	M-739665



M-CAST™ is a trademark of Metcast Service Tech Resources Inc.
Wheelabrator® is a registered trademark of Wheelabrator Technologies Inc.
EZEFIT® is a registered trademark of Wheelabrator Group.

TECHNOLOGY. SERVICE. SOLUTIONS.

Phone: 262.785.7577 • Fax: 262.785.1066 • 16211 West Lincoln Avenue • New Berlin, WI 53151 • bct-us.com