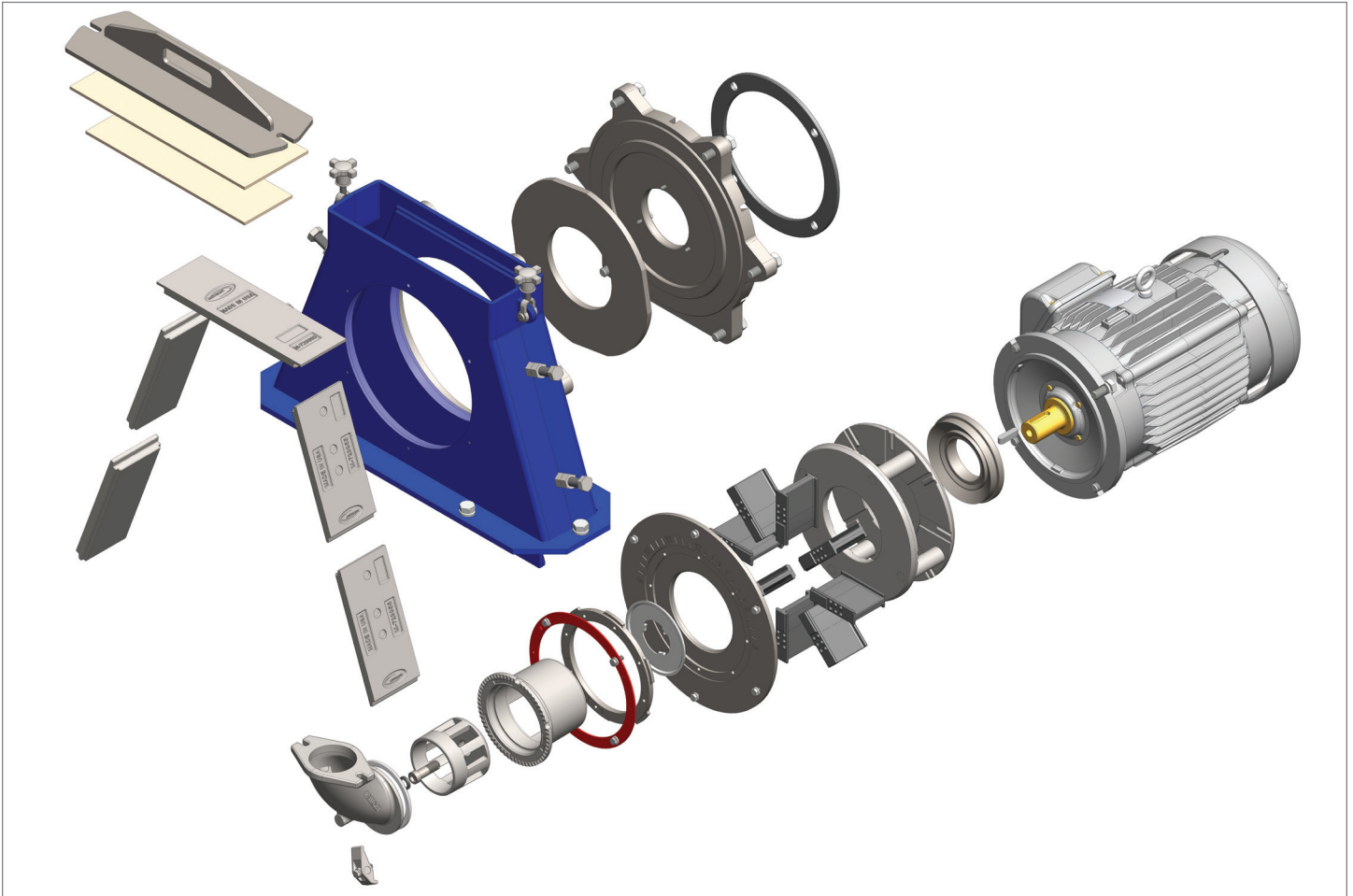


EZEFIT® WHEEL REPLACEMENT PARTS

*Premium OEM Replacement Components for Wheelabrator®
EZEFIT® Blast Wheels*



- 100% in-stock guaranteed
- Same day shipment available
- Premium cast chrome alloy, heat treated components
- Available products for 35EZ160 with 30, 49, 70 and 100 degree control cages
- Multiple M-CAST upgrades available



M-CAST™ is a trademark of Metcast Service Tech Resources Inc.
Wheelabrator® is a registered trademark of Wheelabrator Technologies Inc.
EZEFIT® is a registered trademark of Wheelabrator Group.

TECHNOLOGY. SERVICE. SOLUTIONS.



EZEFIT® WHEEL REPLACEMENT PARTS

Premium OEM Replacement Components for Wheelabrator®
EZEFIT® Blast Wheels

TUNE UP KITS

Includes: Blade set, control cage, impeller, impeller bolt, lockwasher and spout seal

KIT P/N	WHEEL SIZE	BLADE	OPENING	CONTROL CAGE	IMPELLER	IMPELLER BOLT	LOCKWASHER	SPOUT SEAL
M-731274	35EZ160	M-730082	30DEG	M-731244	M-729982	M-682988	M-683487	M-730984
M-731431	35EZ160	M-730082	30DEG	M-731244	M-729982	M-682988	M-683487	M-730984
M-731470	35EZ160	M-730082	30DEG	M-731244	M-729982	M-682988	M-683487	M-730984
M-731510	35EZ160	M-730082	30DEG	M-731244	M-729982	M-682988	M-683487	M-730984
M-731547	35EZ160	M-730082	30DEG	M-731244	M-729982	M-682988	M-683487	M-730984
M-737521	35EZ160	M-730082	30DEG	M-731244	M-729982	M-682988	M-683487	M-730984
M-730289	35EZ160	M-730082	49DEG	M-731245	M-729982	M-682988	M-683487	M-730984
M-731432	35EZ160	M-730082	49DEG	M-731245	M-729982	M-682988	M-683487	M-730984
M-731471	35EZ160	M-730082	49DEG	M-731245	M-729982	M-682988	M-683487	M-730984
M-731511	35EZ160	M-730082	49DEG	M-731245	M-729982	M-682988	M-683487	M-730984
M-731548	35EZ160	M-730082	49DEG	M-731245	M-729982	M-682988	M-683487	M-730984
M-737522	35EZ160	M-730082	49DEG	M-731245	M-729982	M-682988	M-683487	M-730984
M-730290	35EZ160	M-730082	70DEG	M-730032	M-729982	M-682988	M-683487	M-730984
M-731433	35EZ160	M-730082	70DEG	M-730032	M-729982	M-682988	M-683487	M-730984
M-731472	35EZ160	M-730082	70DEG	M-730032	M-729982	M-682988	M-683487	M-730984
M-731512	35EZ160	M-730082	70DEG	M-730032	M-729982	M-682988	M-683487	M-730984
M-731549	35EZ160	M-730082	70DEG	M-730032	M-729982	M-682988	M-683487	M-730984
M-737523	35EZ160	M-730082	70DEG	M-730032	M-729982	M-682988	M-683487	M-730984
M-730291	35EZ160	M-730082	100DEG	M-731246	M-729982	M-682988	M-683487	M-730984
M-731434	35EZ160	M-730082	100DEG	M-731246	M-729982	M-682988	M-683487	M-730984
M-731473	35EZ160	M-730082	100DEG	M-731246	M-729982	M-682988	M-683487	M-730984
M-731513	35EZ160	M-730082	100DEG	M-731246	M-729982	M-682988	M-683487	M-730984
M-731550	35EZ160	M-730082	100DEG	M-731246	M-729982	M-682988	M-683487	M-730984
M-737524	35EZ160	M-730082	100DEG	M-731246	M-729982	M-682988	M-683487	M-730984

GENERAL COMPONENTS

DESCRIPTION	PART NUMBER
TOP LINER	M-729960
END LINER	SEE CHART
REAR HUB LINER	M-730528
HUB SEAL	M-730462
CENTERING PLATE	M-731156
LID SEAL	M-6754
LID	M-747469
MOTOR MOUNT	M-3419
90° FEED SPOUT	M-471181
FEED SPOUT, STRAIGHT	M-498357
RETAINING RING	M-736767
FEED SPOUT CLAMP	MH-1551
IMPELLER BOLT	SEE CHART
LOCKWASHER	SEE CHART
FEED SPOUT SEAL	SEE CHART
IMPELLER	SEE CHART
CONTROL CAGE ADAPTER	M-1586
HOUSING WELDMENT	M-730256
INDEX RING	M-742244
INTERMEDIATE LID SEAL	M-6754
CONTROL CAGE	SEE CHART
MOTOR	SEE CHART
REDUCER	M-740522
HORSE COLLAR	M-1594
MOUNTING FLANGE	M-1593
BUBBLE BLADE	SEE CHART

LINERS

DESCRIPTION	LENGTH	P/N
END LINER	11.7in LONG	M-729955
END LINER	14.5in LONG	M-732153
END LINER	23.4in LONG	M-C256657

MOTORS

MOTOR	STANDARD	UPGRADED
15HP/3600RPM	M-3915	M-2800-LS
20HP/3600RPM	M-3920	M-2799-LS
25HP/3600RPM	M-3925	M-1725-LS
30HP/3600RPM	M-3930	M-1724-LS
40HP/3600RPM	M-3940	M-1723-LS
50HP/3600RPM	M-3950	M-1722-LS
60HP/3600RPM	M-3960	M-1868-LS
75HP/3600RPM	M-3975	M-1869-LS



M-CAST™ is a trademark of Metcast Service Tech Resources Inc.
Wheelabrator® is a registered trademark of Wheelabrator Technologies Inc.
EZEFIT® is a registered trademark of Wheelabrator Group.

TECHNOLOGY. SERVICE. SOLUTIONS.