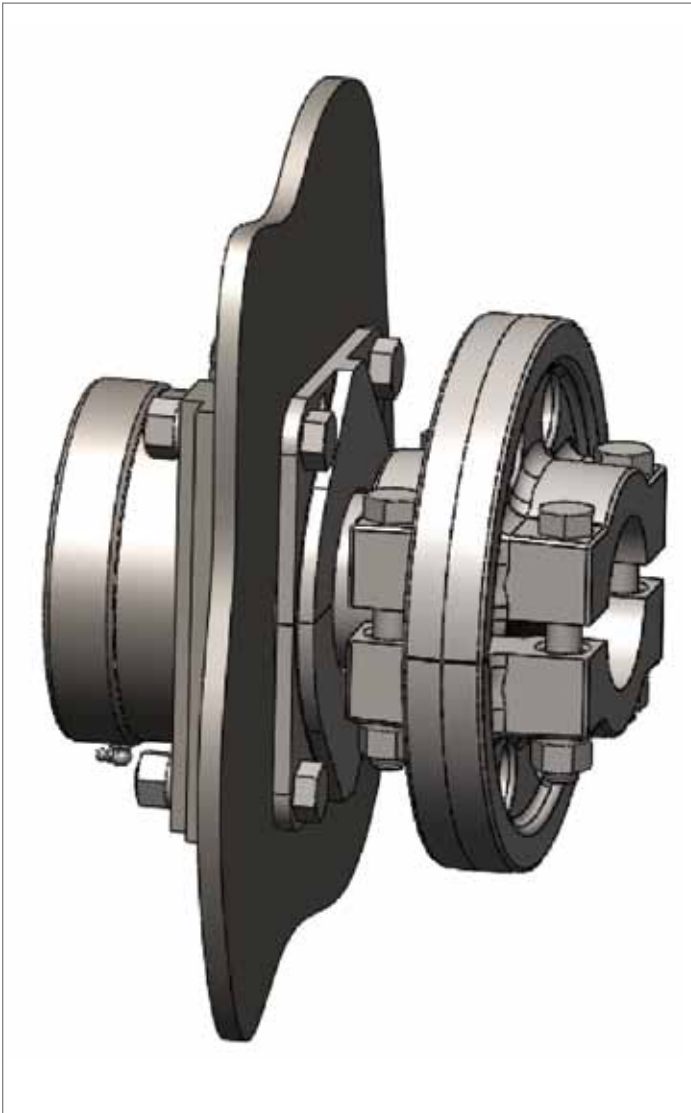


MILL BEARING SUPER SEAL



Application

High Production Wisconsin Grey Iron Foundry

Machine Type

Wheelabrator® Tumbblast

Project Scope

Reduce mill bearing and seal failure rate.

Solution

Metcast's Mill bearing super seal design uses dual machined UHMW seals. The seals are held in place by a bolt in self draining machined seal retainer. This arrangement supplements the existing rubber and felt seals.

Results

- Longer mill bearing life
- Self cleaning bearing protection

Wheelabrator® is a registered
trademark of Wheelabrator Group