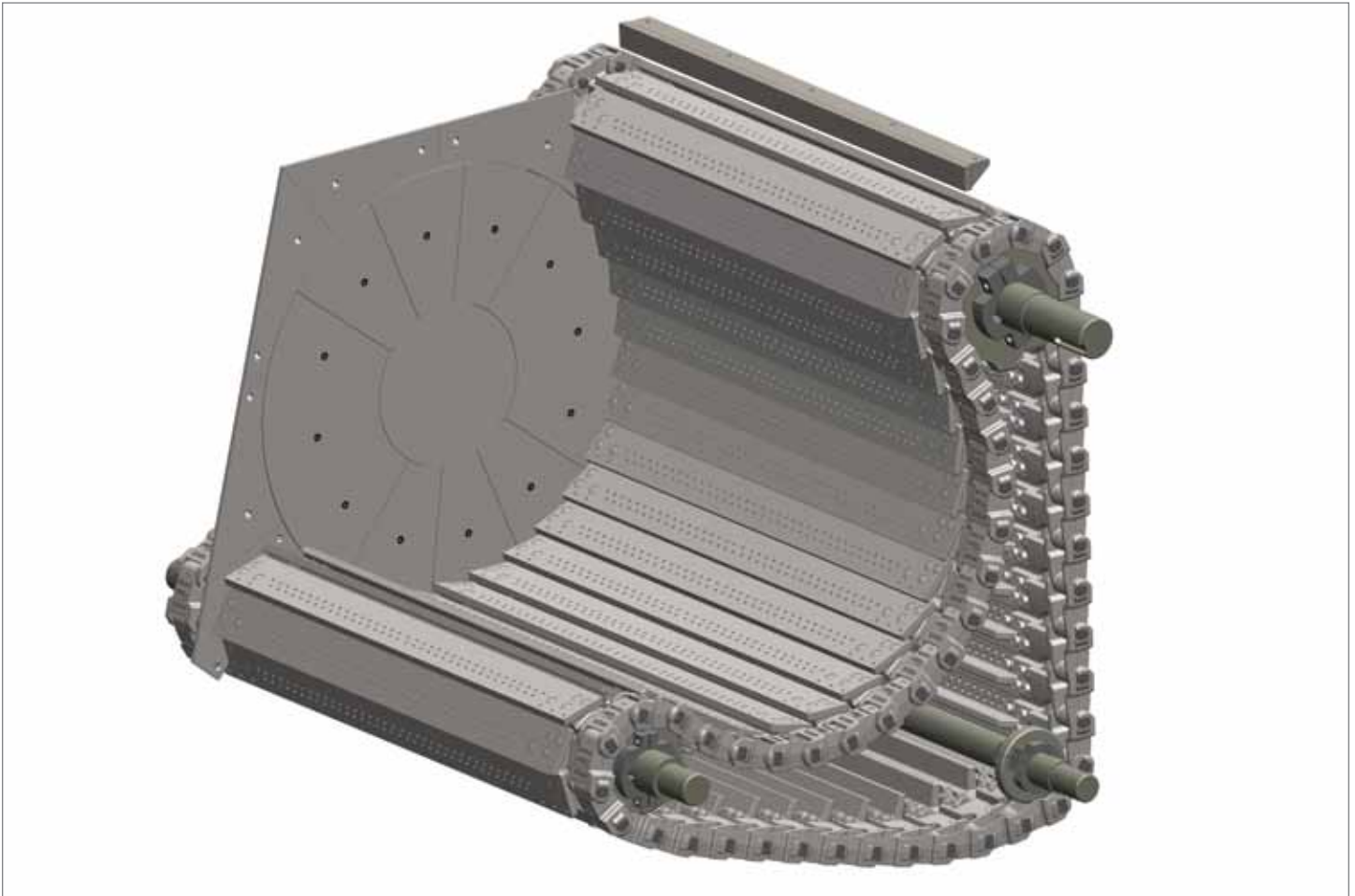


PANGBORN® MILL REPLACEMENT PARTS

Premium OEM Replacement Components for Pangborn® Tumble Blasts



- Available parts for 15GN, 20GN, 23GN, 26GN, 32GN and 34GN
- Flights, links, pins
- Traction wheels and sprockets
- Drive shafts, idler shafts, take up shafts
- Barrelheads, seals, backing plates, bearing assemblies
- Door assemblies, kick plates and roof replacement
- Multiple M-CAST™ upgrades available



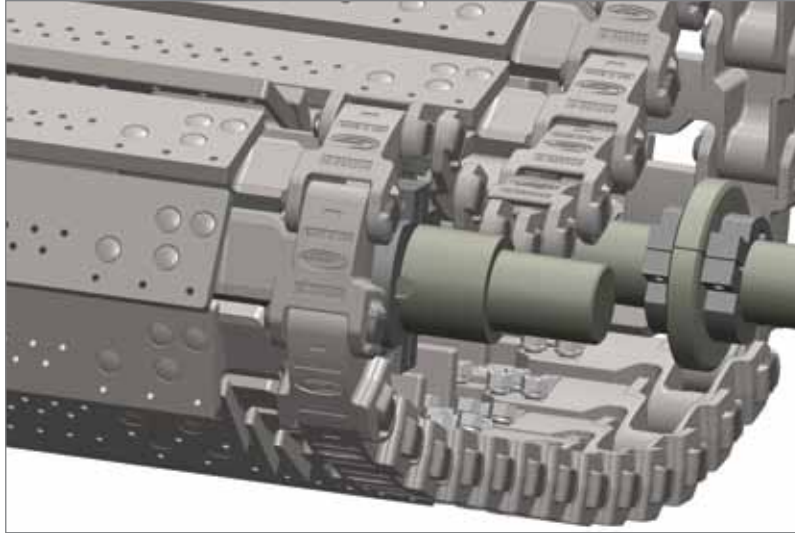
M-CAST™ is a trademark of Metcast Service Tech Resources Inc.
Pangborn® is a registered trademark of Pangborn Corporation Inc.

TECHNOLOGY. SERVICE. SOLUTIONS.

Phone: 262.785.7577 • Fax: 262.785.1066 • 16211 West Lincoln Avenue • New Berlin, WI 53151 • bct-us.com

PANGBORN® MILL REPLACEMENT PARTS

Premium OEM Replacement Components for Pangborn® Tumble Blasts



PANGBORN® MILL PARTS

Size	Flight	Link, RH	Link LH	Link Pin	Cotter Pin/ Roll Pin	Sprocket	Traction Wheel
15GN	M-641655	M-6-590034	M-6-590035	1-F-592503	MH-1552	1-6-590039	1-6-590038
20GN	M-6-710008	M-6-590034	M-6-590035	1-F-592503	MH-1552	1-6-590039	1-6-590038
23GN	M-600208	M-580004	M-580005	M-P-580002	MH-1506	M-600206	M-600207
26GN	M-6-710036	M-580004	M-580005	M-P-580002	MH-1506	M-600206	M-600207
32GN	M-6-700066	M-580004	M-580005	M-P-580002	MH-1506	1-P85703	1-P84552/1-P84553
34GN	M-6-790203	M-580004	M-580005	M-P-580002	MH-1506	1-P85703	1-P84552/1-P84553

*BCT also offers; Drive Shafts, Idler Shafts, Take Up Shafts,
Bearing Assemblies, Trunnion Units, Barrelheads, Backing Plates,
Seals, Door Assemblies, Kick Plates, and Roof Replacement.*



M-CAST™ is a trademark of Metcast Service Tech Resources Inc.
Pangborn® is a registered trademark of Pangborn Corporation Inc.

TECHNOLOGY. SERVICE. SOLUTIONS.

Phone: 262.785.7577 • Fax: 262.785.1066 • 16211 West Lincoln Avenue • New Berlin, WI 53151 • bct-us.com