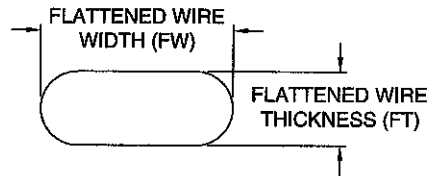
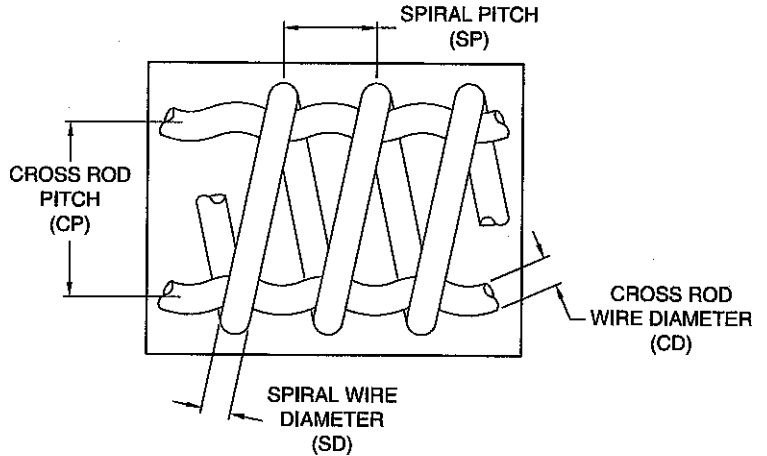


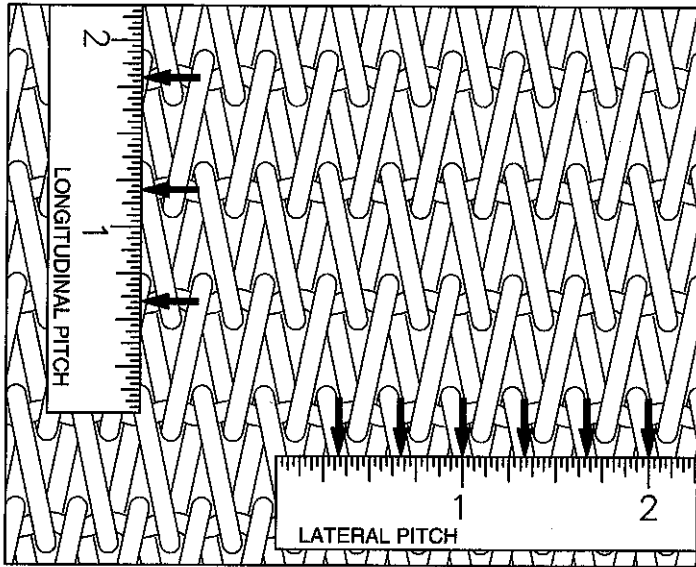
# ROUND WIRE BELT SPECIFICATION FORM

COMPANY NAME:		ATTENTION:	
COMPANY ADDRESS:		SPECIAL REQUIREMENTS:	
EMAIL ADDRESS:		(ex. PIN ROLL OR SPROCKET DRIVE)	
TEL NO.:			
FAX NO.:			

BELT SPECIFICATION	
BELT WIDTH	
BELT LENGTH	
BELT MATERIAL	
EDGE FINISH	
BELT STYLE	B or BFS
SP	
SD	
CP	
CD	
*FW	
*FT	



### SPIRAL & CROSS ROD PITCH MEASURING



### MESH DESIGNATION

ex. B-36-20-12

**LETTER DESIGNATION** = BELT STYLE, WHETHER BALANCE WEAVE (B) OR BALANCE WEAVE FLATTENED SPIRAL (BFS)

**1ST COUNT** = NUMBER OF LOOPS IN 12 INCHES OF BELT WIDTH = LATERAL PITCH

**2ND COUNT** = NUMBER OF CONNECTOR RODS IN 12 INCHES OF BELT LENGTH = LONGITUDINAL PITCH

**3RD COUNT** = WIRE GAUGE. IF 3RD COUNT CONSISTS OF (2) PAIRS OF NUMBERS, THE 1ST IS THE CONNECTOR WIRE GAUGE, THE 2ND IS THE SPIRAL WIRE GAUGE.