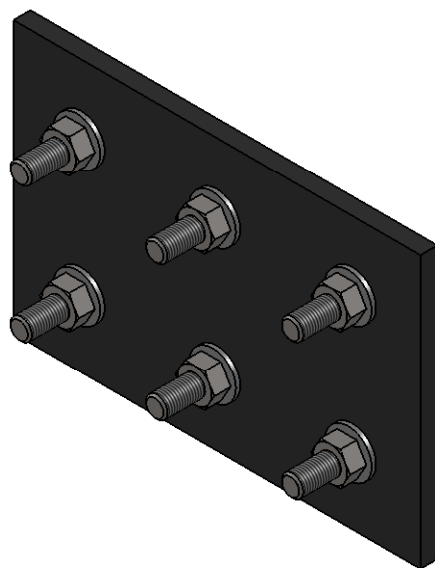
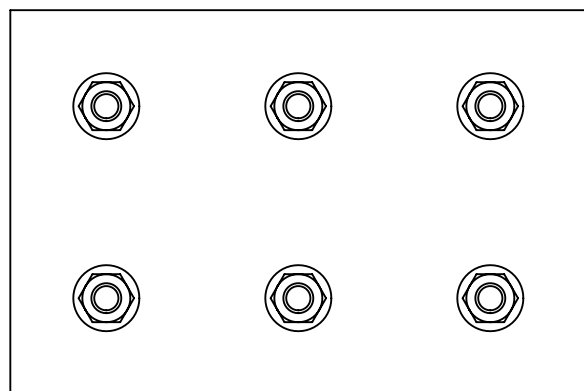
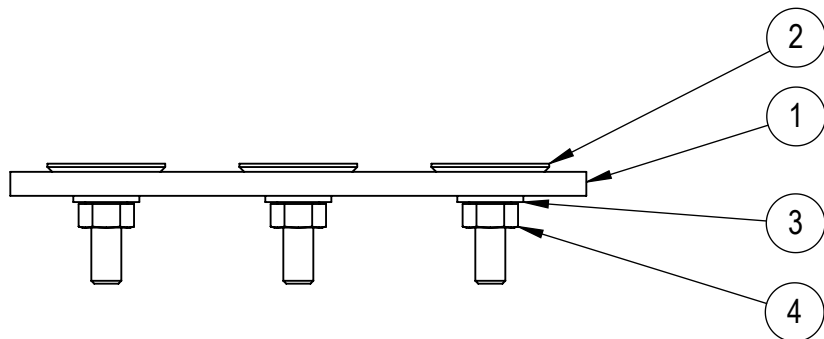


ITEM NO.	WEIGHT	QTY.	DESCRIPTION	Number	PartNo
1	0.21	1	ELEVATOR BELT SPLICE 6"	10-1004-A	M-1781
2	0.06	6	ELEVATOR BOLT 5/16" x 1 1/4"	-	MH-1599
3	0.00	6	Flat Washer 5/16"	-	MH-1001
4	0.28	6	Hex Nut 5/16"-18C	-	MH-1028



UNLESS OTHERWISE SPECIFIED:

DIMENSIONS ARE IN INCHES
 TOLERANCES:
 FRACTIONAL $\pm 1/16"$
 ANGULAR: $\pm 0.5^\circ$
 TWO PLACE DECIMAL $\pm 0.015"$
 THREE PLACE DECIMAL $\pm 0.005"$

DRAWN	DATE
SB	7/7/10

CHECKED	DATE
-	-

PART NUMBER
M-1782

DO NOT SCALE DRAWING



TITLE:
ELEVATOR BELT SPLICE 6" ASSY

DWG. NO.
10-1005-A

REV
0

SCALE: 1:2

EST WT: 0.6#

SHEET 1 OF 1

PROPRIETARY AND CONFIDENTIAL
 THE INFORMATION CONTAINED IN THIS
 DRAWING IS THE SOLE PROPERTY OF
METCAST. ANY REPRODUCTION IN PART
 OR AS A WHOLE WITHOUT THE WRITTEN
 PERMISSION OF **METCAST** IS PROHIBITED.