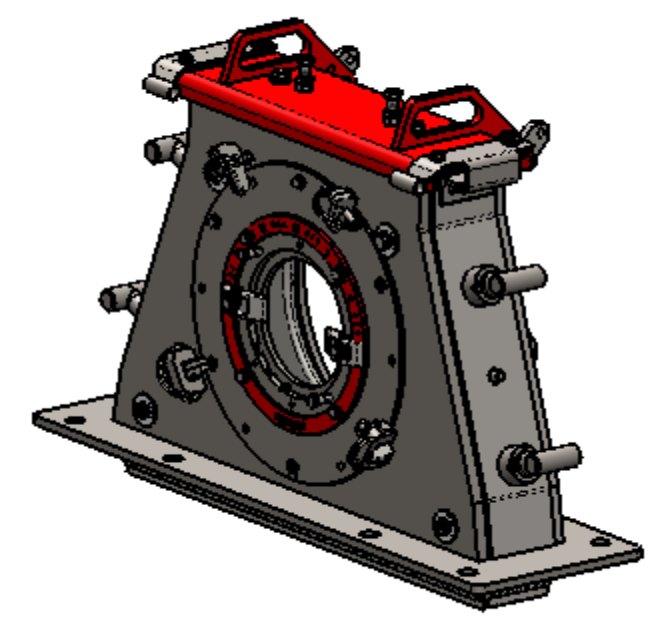


ITEM NO.	QTY.	DESCRIPTION	PartNo	Number
1	1	M2 FABRICATED HOUSING	M-3952	12-3234-D
2	1	M2 /M3 Weldment Upgrade	M-3948	12-3231-B
3	1	M2 LID WELDMENT	M-3953	12-3235-B
4	1	M2 RH Lid Swivel Clamp	M-3687	11-2959-B
5	1	M2 LH Lid Swivel Clamp	M-3688	11-2960-B
6	2	M2 END LINER	M-2336	11-1718-B
7	1	M2 TOP LINER	M-2335	11-1717-B
8	2	M2 AUXILIARY H LINER	M-2340	11-1724-B
9	2	SIDE LINER CAST	M-1707	10-0942-B
10	1	M2 - M3 CAGE ADAPTER	M-737273	09-0488-B
11	1	M2 - M3 CAGE ADAPTER II	M-3986	12-3146-B
12	1	M2 - M3 RETAINING RING	M-736767	09-0487-B
13	2	FEED SPOUT CLAMP	MH-1551	-
14	1	M2 RUBBER LINER, INNER	M-2339	11-1723-B
15	1	M2 RUBBER LINER	M-2338	11-1722-B
16	1	M2 - M3 INDEX PLATE	M-742244	10-0761-A
17	6	Flat Washer 1/2"	MH-1004	-
18	14	Flat Washer 3/8"	MH-1002	-
19	12	Lockwasher 1/2"	MH-1013	-
20	10	Lockwasher 3/8"	MH-1011	-
21	8	FENDER WASHER 5/8" x 1 1/2" OD	MH-1630	-
22	2	HHCS 1/2"-13NC x 1 1/4" LG	MH-1276	-
23	2	HHCS 1/2"-13NC X 2 1/2" Lg - Full Thread	MH-1570	-
24	8	HHCS 1/2"-13NC x 1" LG.	MH-1275	-
25	6	HHCS 3/8"-16NC x 3/4" LG.	MH-1237	-
26	4	HHCS 3/8"-16NC x 1 1/4" LG.	MH-1240	-
27	4	HHCS 3/8"-16NC x 1 1/2" LG.	MH-1241	-
28	2	HHCS 3/8"-16NC x 1" LG.	MH-1239	-
29	2	ACORN NUT 1/2"-13	MH-1512	-
30	2	Acorn Nut 3/8-16	MH-1684	-
31	2	Shoulder Bolt 3/8"-16NC	MH-1561	-
32	2	Shoulder Bolt 1/2 Dia x 0.5LG, 3/8"-16 Thread	MH-1698	-
33	2	5/16"-18NC Nylon Locknut	MH-1560	-
34	6	Jam Hex Nut 1/2"-13NC	MH-1509	-
35	4	Jam Hex Nut 3/4"-10NC	MH-1575	-
36	4	LINER RETENTION BOLT 3/4"	M-1564	10-0789-A
37	4	LINER RETENTION BOLT 1/2"	M-1565	10-0790-A
38	2	DOWEL PIN	M-1325	09-0443-A
39	1	Quick Release Pin	MH-1511	-
40	4	Pin with Retainer Snap; 3/8 OD x 2.5 ULG	M-3674	-
41	4	M-Lok Handle Assembly	M-3845	12-3115-B
42	4	Cast Wedge	M-3675	11-2947-A

STANDARD ENDLINER LOCK; USE WITH HOUSING M-2334 OR M-3952

M-LOK ENDLINER LOCK USE WITH HOUSING UPGRADE M-3948



UNLESS OTHERWISE SPECIFIED:  
DIMENSIONS ARE IN INCHES  
TOLERANCES:  
FRACTIONAL ± 1/16"  
ANGULAR: ± 0.5°  
TWO PLACE DECIMAL ± 0.015"  
THREE PLACE DECIMAL ± 0.005"



PART NUMBER  
**M2-1001b**

PROPRIETARY AND CONFIDENTIAL  
THE INFORMATION CONTAINED IN THIS DRAWING IS THE SOLE PROPERTY OF METCAST. ANY REPRODUCTION IN PART OR AS A WHOLE WITHOUT THE WRITTEN PERMISSION OF METCAST IS PROHIBITED.

DRAWN DATE 10/24/2011  
LAB DATE  
FINISH  
DO NOT SCALE DRAWING

TITLE:  
**M2 HOUSING ASSEMBLY PII**  
DWG. NO. **12-3233-B** REV **0**  
SCALE: 1:4 EST WT: 681.4# SHEET 1 OF 1