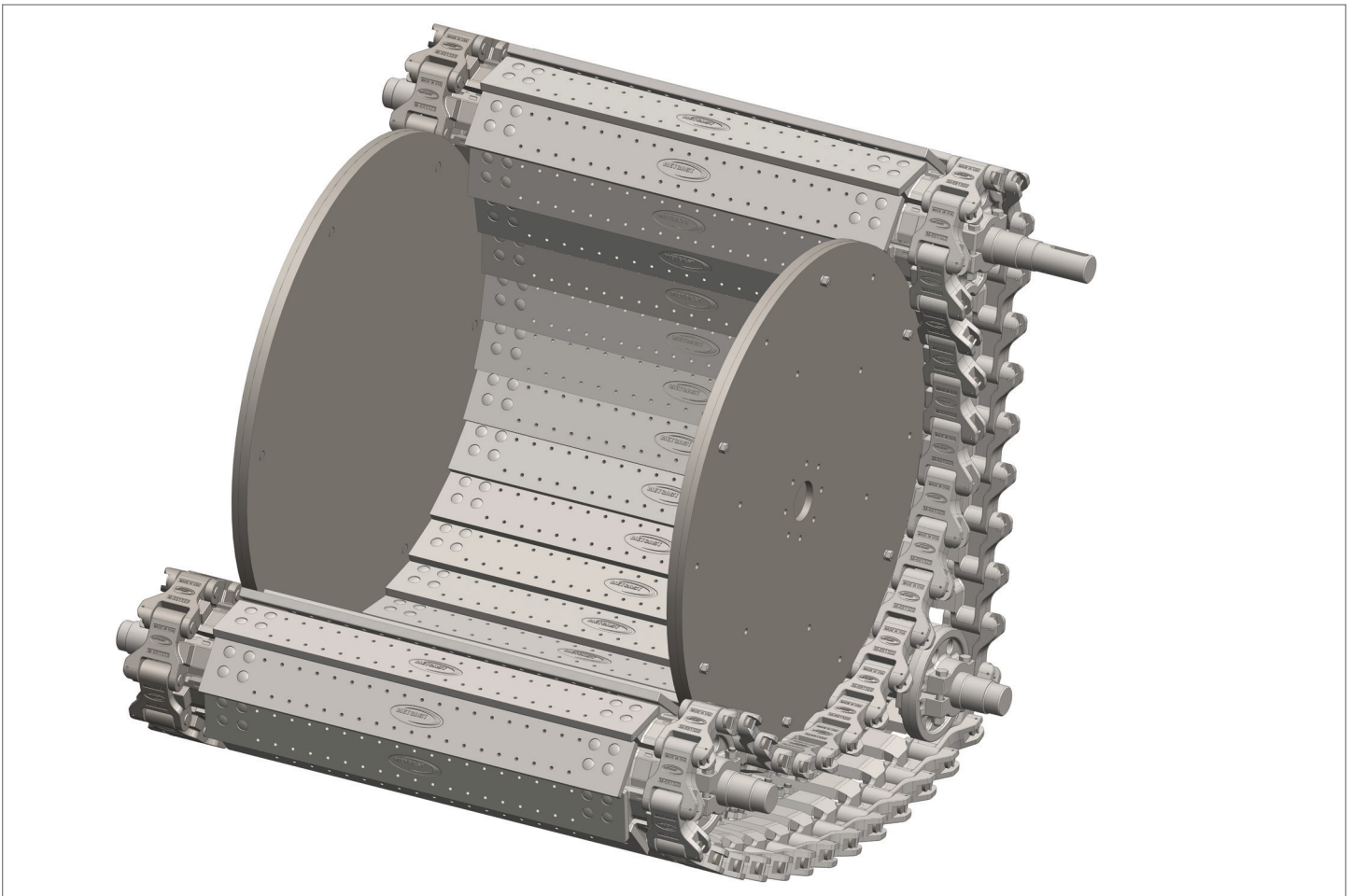


WHEELABRATOR® MILL REPLACEMENT PARTS

Premium OEM Replacement Components for Wheelabrator® Tumble Blasts



- Available parts for 7, 14, 22, 28, 34, 70 and 76 Super I, II, III Tumble Blasts
- Flights, links, pins
- Traction wheels and sprockets
- Drive shafts, idler shafts, take up shafts
- Barrelheads, seals, backing plates, bearing assemblies
- Door assemblies, kick plates and roof replacement
- Multiple M-CAST™ upgrades available

 **M-CAST™**

Aftermarket Blast Parts

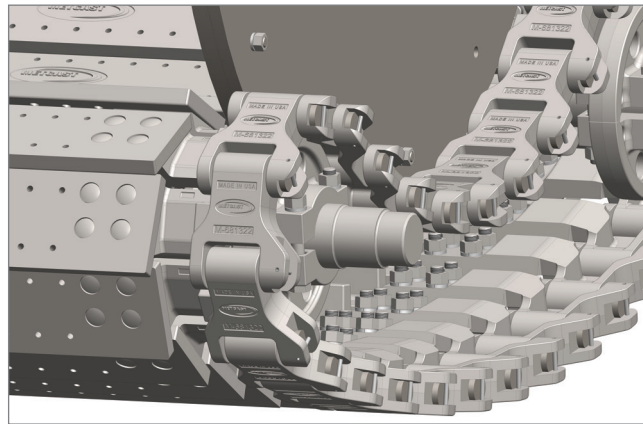
M-CAST™ is a trademark of Blast Cleaning Technologies, Inc.
Wheelabrator® is a registered trademark of Wheelabrator Technologies Inc.

TECHNOLOGY. SERVICE. SOLUTIONS.

Phone: 262.785.7577 • Fax: 262.785.1066 • 6682 West Greenfield Avenue • West Allis, WI 53214 • bct-us.com

WHEELABRATOR® MILL REPLACEMENT PARTS

Premium OEM Replacement Components for Wheelabrator® Tumble Blasts



WHEELABRATOR® MILL PARTS

Size	Flight	Link, RH	Link LH	Link Pin	Cotter Pin/ Roll Pin	Sprocket	Traction Wheel
7 Cube	M-160690	M-158009/M-681318	M-158010/M-681319	M-159638	MH-2138	M-193525	M-193526
14 Super1	M-191965	M-158009/M-681318	M-158010/M-681319	M-159638	MH-2138	M-193525	M-193526
14 Super2	M-420008	M-418966/M-681320	M-418967/M-681321	M-420006	M-208846	M-420166	M-193526
22 Super1	M-186991	M-294216/M-681325	M-294215/M-681324	M-294246	MH-1506	M-197615	M-197616-H
22 Super2	M-449642	M-424562/M-681322	M-424563/M-681323	M-425414	M-425282	M-424124-H	M-197616-H
22 Super3	M-449642	M-692992	M-692991	M-425414	M-425282	M-424124-H	M-197616-H
28 Super1	M-152349	M-294216/M-681325	M-294215/M-681324	M-294246	MH-1506	M-197615	M-197616-H
28 Super2	M-449643	M-424562/M-681322	M-424563/M-681323	M-425414	M-425282	M-424124-H	M-197616-H
28 Super3	M-449643	M-692992	M-692991	M-425414	M-425282	M-424124-H	M-197616-H
34 Super1	M-214040	M-294216/M-681325	M-294215/M-681324	M-294246	MH-1506	M-197615	M-197616-H
34 Super2	M-448836	M-424562/M-681322	M-424563/M-681323	M-425414	M-425282	M-424124-H	M-197616-H
34 Super3	M-448836	M-692992	M-692991	M-425414	M-425282	M-424124-H	M-197616-H
70 Super	M-179098	M-452541	M-452542	M-179062	M-500893	M-178990	M-178991
76 Super	M-451241	M-293389	M-293388	M-198919	MH-1654	M-409118	M-409123
70 Super	M-179098	M452541	M-452542	M-179062	M-500893	M-178990	M-178991
76 Super	M-451241	M-293389	M-293388	M-298919	MH-1654	M-409118	M-409123

BCT also offers; Drive Shafts, Idler Shafts, Take Up Shafts,
Bearing Assemblies, Trunnion Units, Barrelheads, Backing Plates,
Seals, Door Assemblies, Kick Plates, and Roof Replacement.



Aftermarket Blast Parts

M-CAST™ is a trademark of Blast Cleaning Technologies, Inc.
Wheelabrator® is a registered trademark of Wheelabrator Technologies Inc.

TECHNOLOGY. SERVICE. SOLUTIONS.

Phone: 262.785.7577 • Fax: 262.785.1066 • 6682 West Greenfield Avenue • West Allis, WI 53214 • bct-us.com