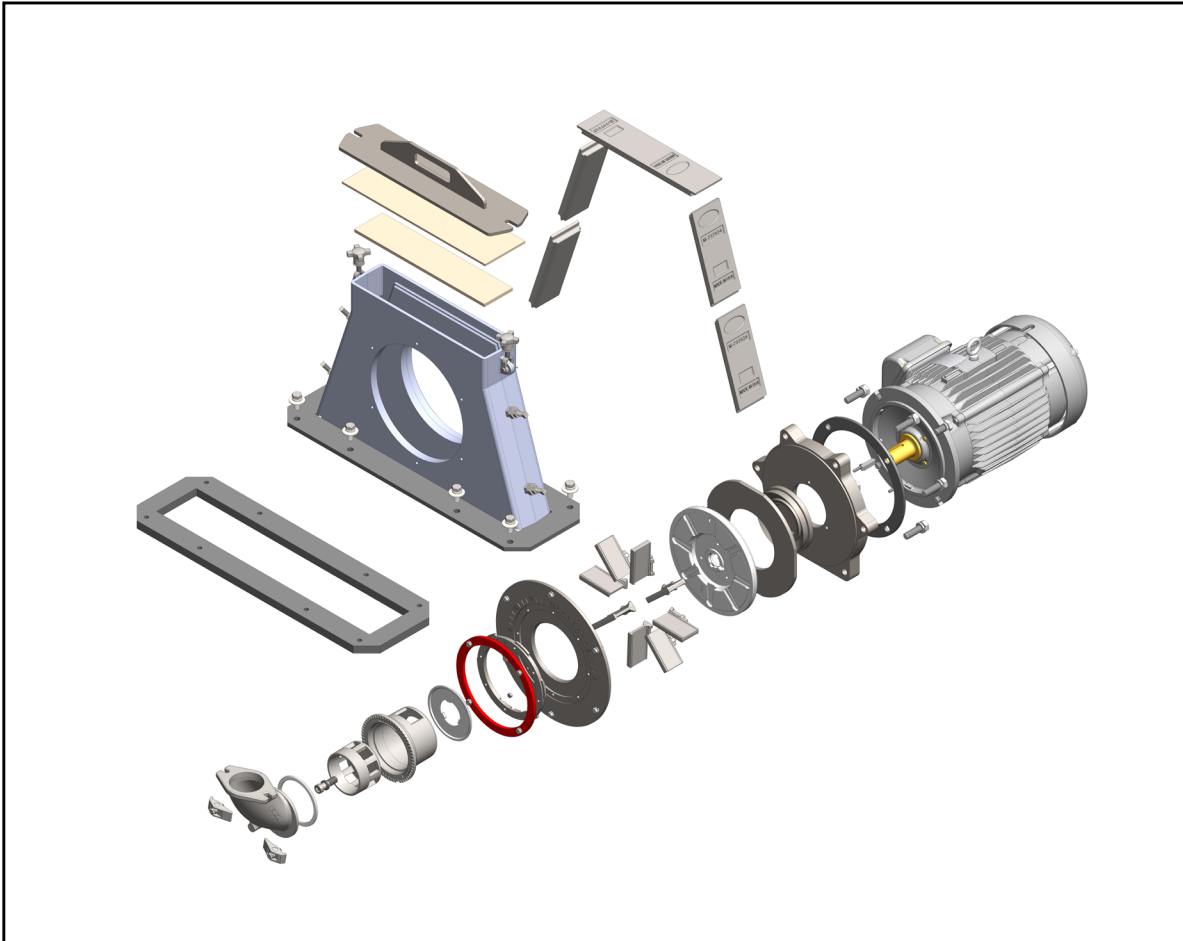


25EZEFIT® BLAST WHEEL REPLACEMENT PARTS

Premium OEM Replacement Components for Wheelabrator® 25EZEFIT® Blast Wheels



- 100% in-stock guaranteed
- Same day shipment available
- Premium cast chrome alloy, heat treated components
- Available products for 25EZ140,155 and 270 with 30, 49 and 70 degree control cages
- Multiple M-CAST™ upgrades available

MCAST™

Aftermarket Blast Parts

M-CAST™ is a trademark of Melcast Service Tech Resources Inc.
Wheelabrator® is a registered trademark of Wheelabrator Technologies Inc.
EZEFIT® is a registered trademark of Wheelabrator Group

TECHNOLOGY. SERVICE. SOLUTIONS.

Phone: 877.355.7577 • Fax: 262.785.1066 • 6682 W Greenfield Ave, Suite 103 • West Allis, WI 53214 • www.bct-us.com



BLAST CLEANING TECHNOLOGIES



25EZEFIT® BLAST WHEEL REPLACEMENT PARTS

Premium OEM Replacement Components for Wheelabrator® 25EZEFIT® Blast Wheels

TUNE UP KITS

Includes: Blade Set, Control Cage, Impeller, Impeller bolt, Lockwasher and Spout Seal

KIT P/N	WHEEL TYPE	# OF BLADES	BLADE SET	CAGE DEGREE	CONTROL CAGE	IMPELLER	IMPELLER BOLT	LOCKWASHER	SPOUT SEAL
M-739534	25EZ140	8	M-C113315	30DEG	M-737717	M-737648	M-682988	M-683487	M-736807
M-739535	25EZ140	8	M-C113315	49DEG	M-737718	M-737648	M-682988	M-683487	M-736807
M-739536	25EZ140	8	M-C113315	70DEG	M-737719	M-737648	M-682988	M-683487	M-736807
M-739522	25EZ140	12	M-C89590	30DEG	M-737717	M-737661	M-682988	M-683487	M-736807
M-739523	25EZ140	12	M-C89590	49DEG	M-737718	M-737661	M-682988	M-683487	M-736807
M-739524	25EZ140	12	M-C89590	70DEG	M-737719	M-737661	M-682988	M-683487	M-736807
M-739163	25EZ155	8	M-C113316	30DEG	M-737717	M-737648	M-682988	M-683487	M-736807
M-739164	25EZ155	8	M-C113316	49DEG	M-737718	M-737648	M-682988	M-683487	M-736807
M-739165	25EZ155	8	M-C113316	70DEG	M-737719	M-737648	M-682988	M-683487	M-736807
M-739526	25EZ155	12	M-C104897	30DEG	M-737717	M-737661	M-682988	M-683487	M-736807
M-739527	25EZ155	12	M-C104897	49DEG	M-737718	M-737661	M-682988	M-683487	M-736807
M-739528	25EZ155	12	M-C104897	70DEG	M-737719	M-737661	M-682988	M-683487	M-736807
M-740301	25EZ270	8	M-C113321	70DEG	M-737717	M-737648	M-682988	M-683487	M-736807
M-740302	25EZ270	8	M-C113321	49DEG	M-737718	M-737648	M-682988	M-683487	M-736807
M-740303	25EZ270	8	M-C113321	70DEG	M-737719	M-737648	M-682988	M-683487	M-736807
M-740313	25EZ270	12	M-C104905	30DEG	M-737717	M-737661	M-682988	M-683487	M-736807
M-740314	25EZ270	12	M-C104905	49DEG	M-737718	M-737661	M-682988	M-683487	M-736807
M-740315	25EZ270	12	M-C104905	70DEG	M-737719	M-737661	M-682988	M-683487	M-736807

GENERAL COMPONENTS

DESCRIPTION	PART NUMBER
MOTOR MOUNT ADAPTER	M-742119
REDUCER	M-740522
FEED SPOUT, 90DEG	M-471181
FEED SPOUT, STRAIGHT	M-498357
CENTERING PLATE	M-731156
FEED SPOUT CLAMP	MH-1551
HUB SEAL	B12736
REAR HUB LINER	M-730528
RETAINING RING	M-736767
INDEX RING	M-742244
CONTROL CAGE ADAPTER	M-3986

MOTORS

DESCRIPTION	RPM	P/N
15HP	1800	M-1800-15-XT
15HP	3600	M-3600-15-XT
20HP	1800	M-1800-20-XT
20HP	3600	M-3600-20-XT
25HP	1800	M-1800-25-XT
25HP	3600	M-3600-25-XT
30HP	1800	M-1800-30-XT
30HP	3600	M-3600-30-XT
40HP	1800	M-1800-40-XT
40HP	3600	M-3600-40-XT
50HP	1800	M-1800-50-XT
50HP	3600	M-3600-50-XT
60HP	1800	M-1800-60-XT
60HP	3600	M-3600-60-XT

BARE WHEELS

HORSEPOWER	8 BLADED	12 BLADED
7.5-30HP	M-738872	M-738874
40-50HP	M-738873	M-738875
60HP	-	M-743718

WHEEL LINERS

WHEEL	TOP	END
25EZ130-140	M-737645	M-737646
25EZ155-175	M-737825	M-737824
25EZ200-270	M-739665	M-739666



Aftermarket Blast Parts

M-CAST™ is a trademark of Melcast Service Tech Resources Inc. Wheelabrator® is a registered trademark of Wheelabrator Technologies Inc. EZEFIT® is a registered trademark of Wheelabrator Group

TECHNOLOGY. SERVICE. SOLUTIONS.

Phone: 877.355.7577 • Fax: 262.785.1066 • 6682 W Greenfield Ave, Suite 103 • West Allis, WI 53214 • www.bct-us.com