

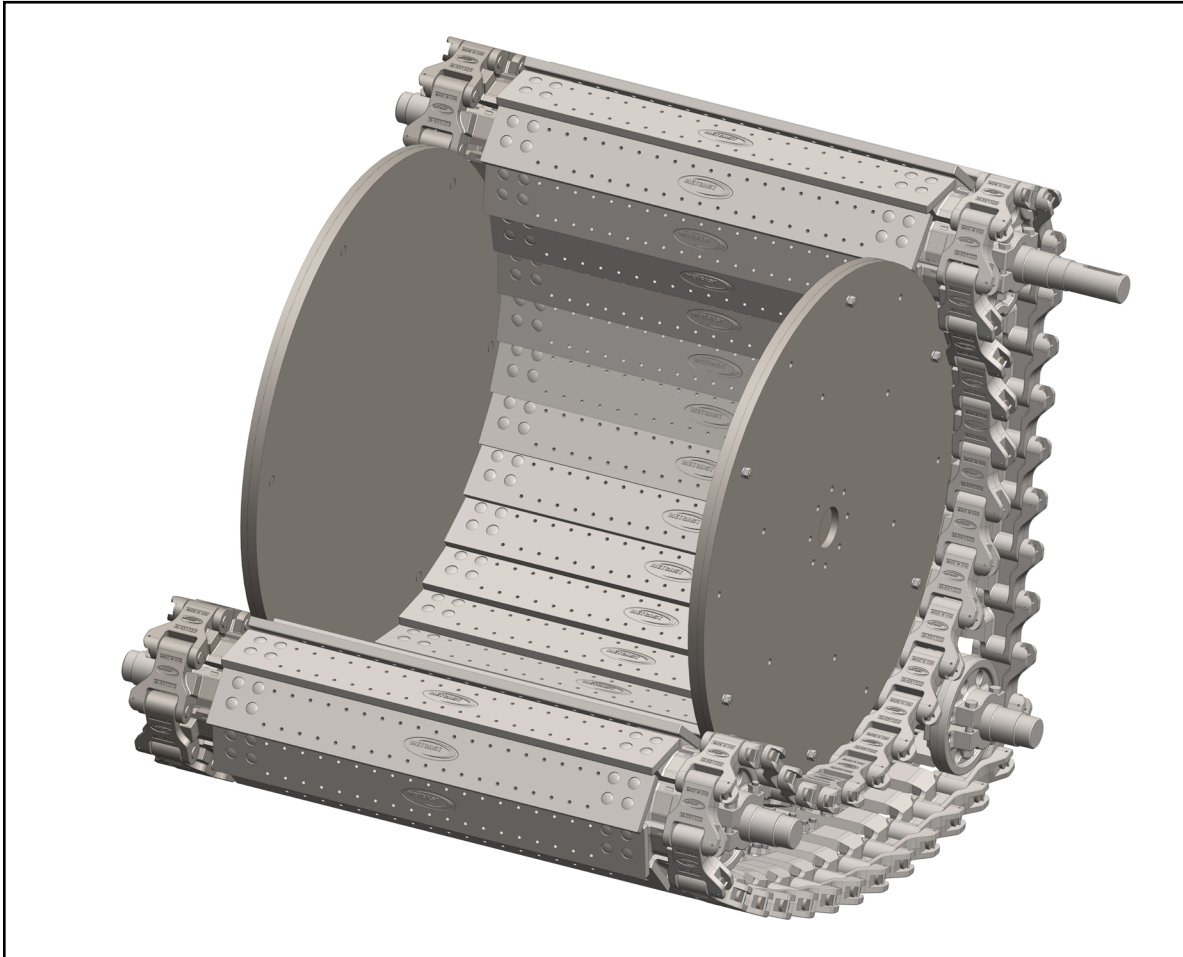


BLAST CLEANING TECHNOLOGIES



WHEELABRATOR® MILL REPLACEMENT PARTS

Premium OEM Replacement Components for Wheelabrator® Tumble Blast



- Available parts for 7, 14, 22, 28, 34, 50 and 76 Super I, II, III Tumble Blasts
- Flights, links, pins
- Traction wheels and sprockets
- Drive shafts, idler shafts, take up shafts
- Barrelheads, seals, backing plates, bearing assemblies
- Door assemblies, kick plates and roof replacement
- Multiple M-CAST™ upgrades available



Aftermarket Blast Parts

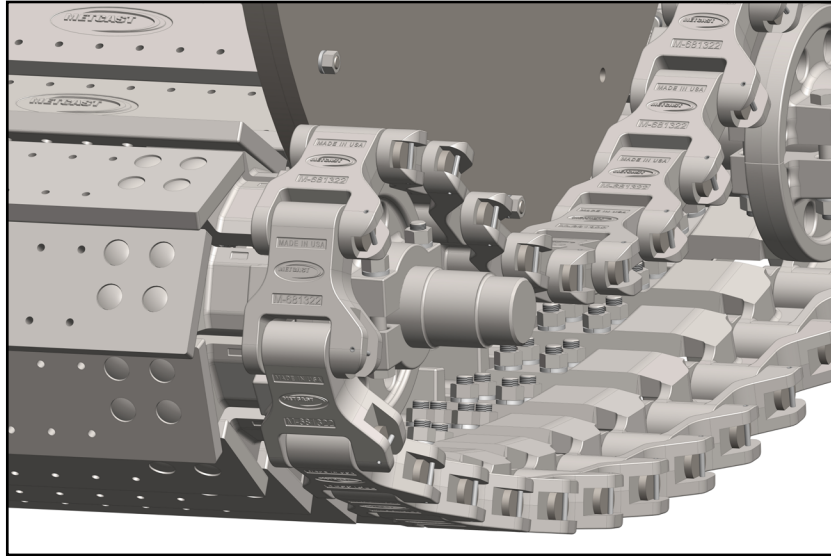
M-CAST™ is a trademark of Melcast Service Tech Resources Inc.
Wheelabrator® is a registered trademark of Wheelabrator Technologies Inc.

TECHNOLOGY. SERVICE. SOLUTIONS.

Phone: 877.355.7577 • Fax: 262.785.1066 • 6682 W Greenfield Ave, Suite 103 • West Allis, WI 53214 • www.bct-us.com

WHEELABRATOR® MILL REPLACEMENT PARTS

Premium OEM Replacement Components for Wheelabrator® Tumble Blast



WHEELABRATOR® MILL PARTS

SIZE	FLIGHT	LINK, RH	LINK, LH	LINK PIN	COTTER PIN / ROLL PIN	SPROCKET	TRACTION WHEEL
7 CUBE	M-160690	M-158009/M-681318	M-158010/M-681319	M-159638	MH-2138	M-193525	M-193526
14 SUPER I	M-191965	M-158009/M-681318	M-158010/M-681319	M-159638	MH-2138	M-193525	M-193526
14 SUPER II	M-420008	M-418966/M-681320	M-418967/M-681321	M-420006	M-208846	M-420166	M-193526
22 SUPER I	M-186991	M-294216/M-681324	M-294215/M-681325	M-294246	MH-1506	M-197615	M-197616-H
22 SUPER II	M-449642	M-424562/M-681322	M-424563/M-681323	M-425414	M-425282	M-424124-H	M-197616-H
22 SUPER III	M-449642	M-692992	M-692991	M-425414	M-425828	M-424124-H	M-197616-H
28 SUPER I	M-152349	M-294216/M-681324	M-294215/M-681325	M-294246	MH-1506	M-197615	M-197616-H
28 SUPER II	M-449643	M-424562/M-681322	M-424563/M-681323	M-425414	M-425282	M-424124-H	M-197616-H
28 SUPER III	M-449643	M-692992	M-692991	M-425414	M-425282	M-424124-H	M-197616-H
34 SUPER I	M-214040	M-294216/M-681324	M-294215/M-681325	M-294246	MH-1506	M-197615	M-197616-H
34 SUPER II	M-448836	M-424562/M-681322	M-424563/M-681323	M-425414	M-425282	M-424124-H	M-197616-H
34 SUPER III	M-448836	M-692992	M-692991	M-425414	M-425282	M-424124-H	M-197616-H
50 SUPER	M-451242	M-293389	M-293388	M-198919	MH-1654	M-409118	M-409123
76 SUPER	M-451241	M-293389	M-293388	M-198919	MH-1654	M-409118	M-409123

**BCT also offers: Drive Shafts, Idler Shafts, Take
Up Shafts, Bearing Assemblies, Trunnion Units,
Barrelheads, Backing Plates, Seals, Door Assemblies,
Kick Plates, and Roof Replacement.**

MCAST™

Aftermarket Blast Parts

M-CAST™ is a trademark of Melcast Service Tech Resources Inc.
Wheelabrator® is a registered trademark of Wheelabrator Technologies Inc.

TECHNOLOGY. SERVICE. SOLUTIONS.

Phone: 877.355.7577 • Fax: 262.785.1066 • 6682 W Greenfield Ave, Suite 103 • West Allis, WI 53214 • www.bct-us.com