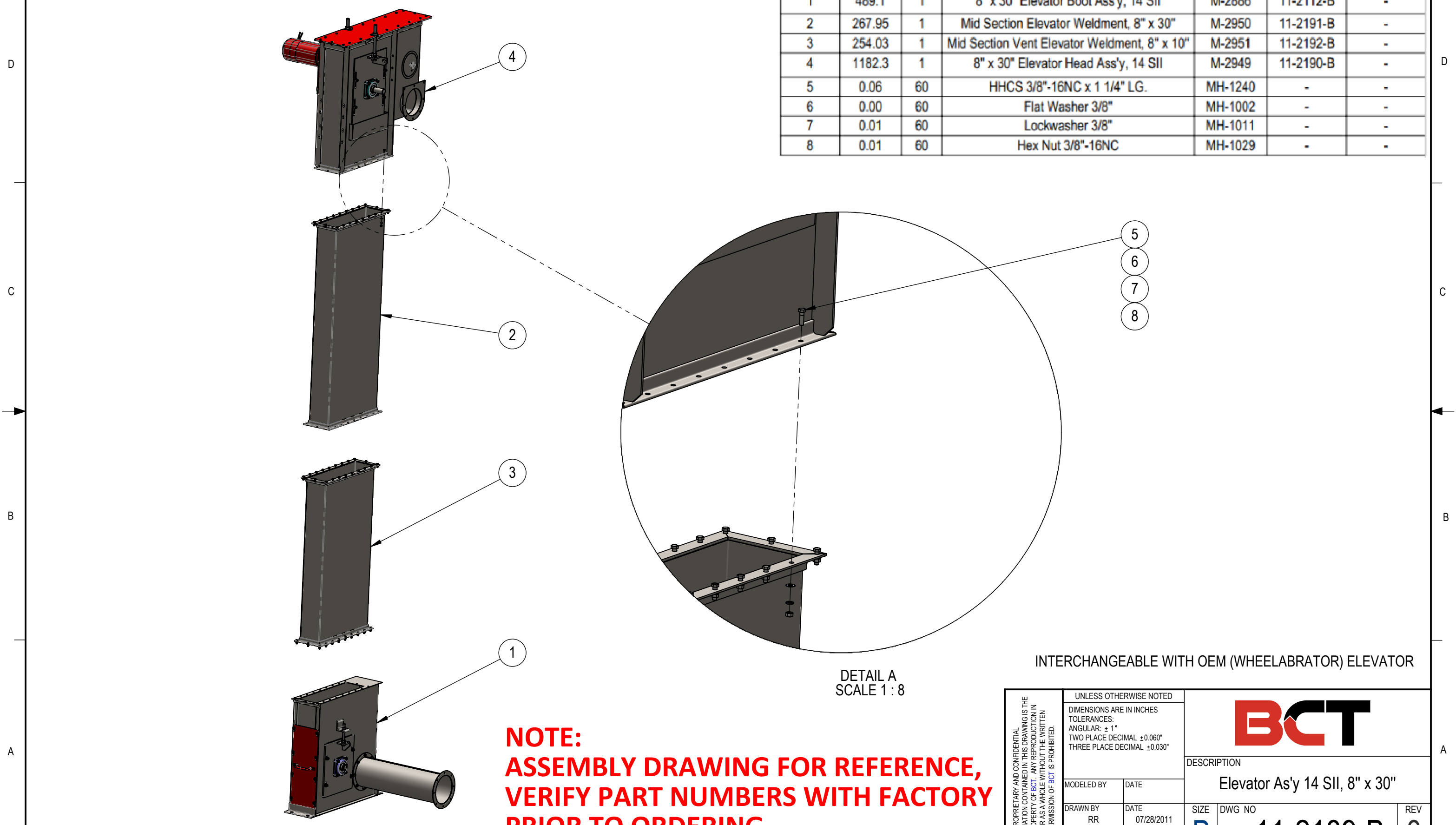



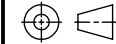
ITEM NO.	WEIGHT	QTY.	DESCRIPTION	PartNo	Number	Rec'd_Spare
1	489.1	1	8" x 30" Elevator Boot Ass'y, 14 SII	M-2886	11-2112-B	-
2	267.95	1	Mid Section Elevator Weldment, 8" x 30"	M-2950	11-2191-B	-
3	254.03	1	Mid Section Vent Elevator Weldment, 8" x 10"	M-2951	11-2192-B	-
4	1182.3	1	8" x 30" Elevator Head Ass'y, 14 SII	M-2949	11-2190-B	-
5	0.06	60	HHCS 3/8"-16NC x 1 1/4" LG.	MH-1240	-	-
6	0.00	60	Flat Washer 3/8"	MH-1002	-	-
7	0.01	60	Lockwasher 3/8"	MH-1011	-	-
8	0.01	60	Hex Nut 3/8"-16NC	MH-1029	-	-



**NOTE:  
ASSEMBLY DRAWING FOR REFERENCE,  
VERIFY PART NUMBERS WITH FACTORY  
PRIOR TO ORDERING**

DETAIL A  
SCALE 1 : 8

INTERCHANGEABLE WITH OEM (WHEELABRATOR) ELEVATOR

PROPRIETARY AND CONFIDENTIAL THE INFORMATION CONTAINED IN THIS DRAWING IS THE SOLE PROPERTY OF BCT. ANY REPRODUCTION IN PART OR AS A WHOLE WITHOUT THE WRITTEN PERMISSION OF BCT IS PROHIBITED.	UNLESS OTHERWISE NOTED			
	DIMENSIONS ARE IN INCHES TOLERANCES: ANGULAR: ± 1° TWO PLACE DECIMAL ±0.060" THREE PLACE DECIMAL ±0.030"			
	MODELED BY	DATE	DESCRIPTION <b>Elevator As'y 14 SII, 8" x 30"</b>	
	DRAWN BY RR	DATE 07/28/2011		
 SIMILAR TO		SIZE <b>B</b>	DWG NO <b>11-2189-B</b>	REV <b>0</b>
DO NOT SCALE DRAWING		SCALE: 1:48	EST WT: 2200.7#	SHEET 1 OF 1