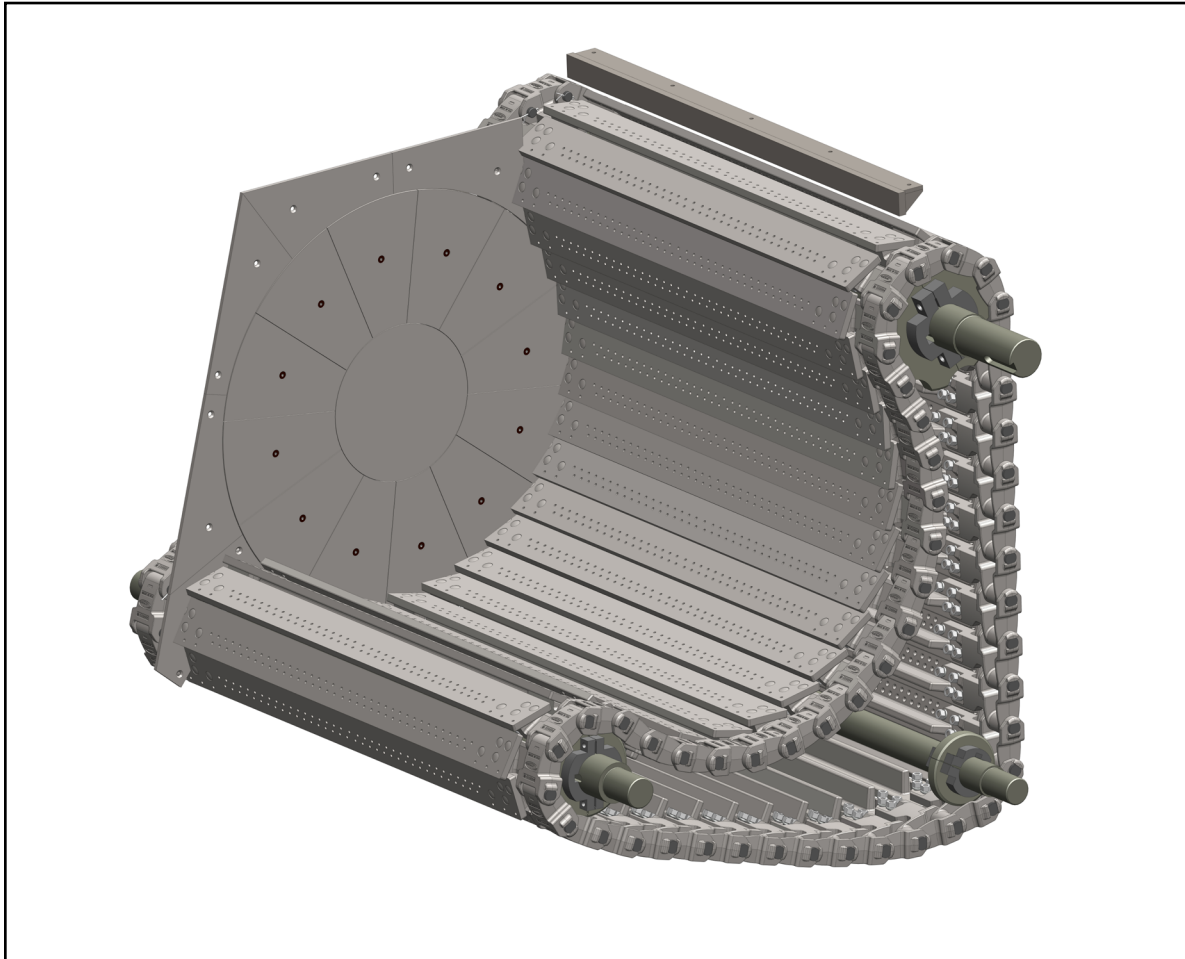


PANGBORN™ MILL REPLACEMENT PARTS

Replacement Components for Pangborn™ Tumble Blast



- Available parts for 15GN, 20GN, 23GN, 26GN, 32GN and 34GN
- Flights, links, pins
- Traction wheels and sprockets
- Drive shafts, idler shafts, take up shafts
- Barrelheads, seals, backing plates, bearing assemblies
- Door assemblies, kick plates and roof replacement
- Multiple M-CAST™ upgrades available

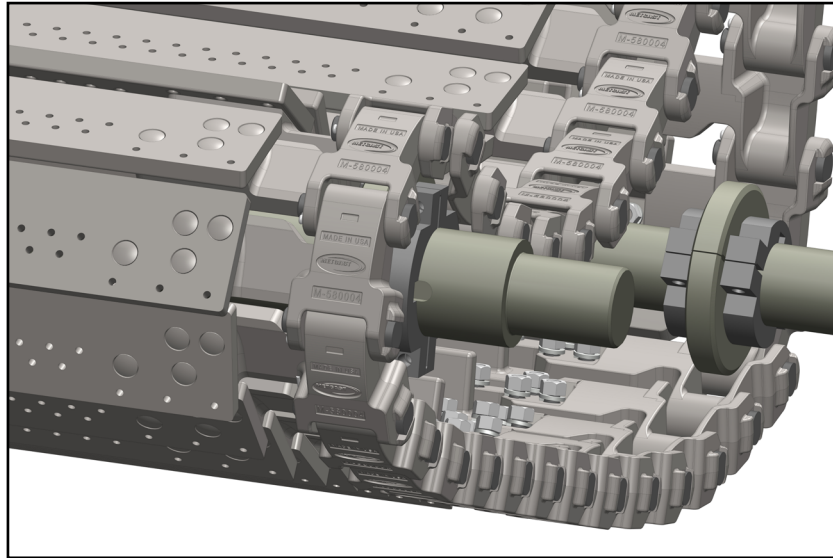


BLAST CLEANING TECHNOLOGIES



PANGBORN™ MILL REPLACEMENT PARTS

Replacement Components for Pangborn™ Tumble Blast



PANGBORN™ MILL PARTS

SIZE	FLIGHT	LINK, RH	LINK, LH	LINK PIN	COTTER PIN / ROLL PIN	SPROCKET	TRACTION WHEEL
15GN	M-641655	M-6-590034	M-6-590033	1-F-592503	MH-1552	1-6-590039	1-6-590038
20GN	M-6-710008	M-6-590034	M-6-590033	1-F-592503	MH-1552	1-6-590039	1-6-590038
23GN	M-600208	M-580004	M-580005	M-P-580002	M-6-590046-16	M-600206	M-600207
26GN	M-6-710036	M-580004	M-580005	M-P-580002	M-6-590046-16	M-600206	M-600207
32GN	M-6-700066	M-580004	M-580005	M-P-580002	M-6-590046-16	1-P85703	1-P84552/1-P84553
34GN	M-6-790203	M-580004	M-580005	M-P-580002	M-6-590046-16	1-P85703	1-P84552/1-P84553

BCT also offers: Drive Shafts, Idler Shafts, Take Up Shafts, Bearing Assemblies, Trunnion Units, Barrelheads, Backing Plates, Seals, Door Assemblies, Kick Plates, and Roof Replacement.



Aftermarket Blast Parts

M-CAST™ is a trademark of Melcast Service Tech Resources Inc.
Pangborn™ is a registered trademark of Pangborn Corporation, Inc.

TECHNOLOGY. SERVICE. SOLUTIONS.

Phone: 877.355.7577 • Fax: 262.785.1066 • 6682 W Greenfield Ave, Suite 103 • West Allis, WI 53214 • www.bct-us.com